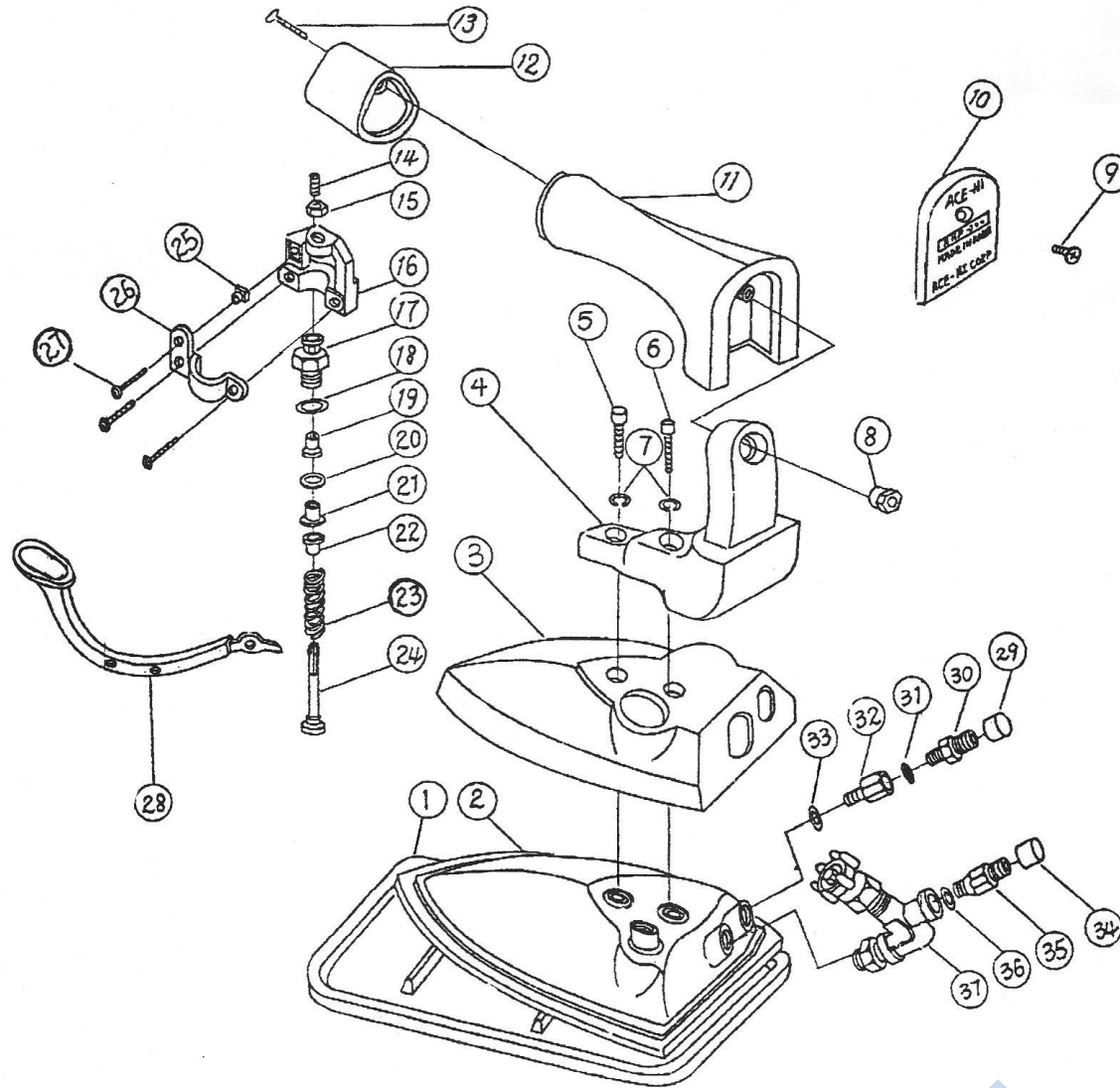


ACE-HI / AHP-300 ALL STEAM IRON



NO	PART NO.	DESCRIPTION	LIST PRICE
1	35057	Silicon Iron Rest	13.00
3	35013	Plastic Cover	6.72
4	35018	Handle Bottom	12.88
5	35034	Bolt for Handle Bottom(1/4 X 16)	1.50
	35034-Assy	Bolt and Spring Washer for Handle Bottom	4.50
6	35035	Bolt for Handle Bottom (1/4 X 20)	1.80
7	35053	Spring Washer	0.84
8	35019	Nut for Handle	2.24
9	35021	Screw for Name Plate	0.56
10	35020	Name Plate	2.80
	35020-Assy	Name Plate with Screw (No. 9 & No. 10)	3.36
11	35049	Handle	13.00
12	35016	Handle Front Cover	1.22
	35016-Assy	Handle Front Cover with Screw (No.12 & No. 13)	2.43
13	35017	Screw for Handle Cover (M4 X 35)	0.78
	HDL-300	Handle Complete for AHP300(No. 4 to No. 13)	28.00
14	30080	Adjusting Screw (M6 X 35)	0.75
15	35033	Plastic Nut	0.75
16	35030	Lever Clamp Inside(aeembly part,30000)	4.75
17	35023	Steam Valve Body	5.50
18	35044	Valve Body Silicone O-Ring	1.50
19	35024	PTFE Bushing	2.50
20	35043	Silicone O-Ring for Valve	1.50
21	35025	PTFE Cap Seal	2.50
22	35042	Brass Ring	1.50
23	35041	Valve Spindle Spring	1.50
24	35027	Steam Valve Spindle	12.00
25	30086	Fulcrum	1.00

NO	PART NO	DESCRIPTION	LIST PRICE
26	35031	Lever Clamp Outside(assembly part,30000)	4.75
27	35045	Lever ClampScrew (M3 X 14)	0.56
28	35051	Push Lever	3.90
30	30210	Hose Nipple Extension (EF)	4.80
31	40014	Mesh Filter	1.60
32	30209	Threaded Hose Nipple	2.80
33	30120	Hose Nipple Packing	0.56
35	30031	Threaded Hose Nipple (E)	3.95
36	30119	Hose Nipple Packing : interchangeable 30120	1.00
37	35022	Exhaust Body Ass'y	19.90
		Assembly Parts:	
	30000	Steam Flow Regulator (Die Cast): #14 to #16, #25 to #27	12.00
	35000	Steam Valve Repair Kit (#19 to #24)	17.50
	35100	Steam Valve Replacement (#17 to #24)	23.00
	36000	Strainer Ass'y (#30 to #33)	8.00
	37000	Exhaust Valve Set Ass'y (#35 to #37)	24.50
	7FT-KSB	7 Ft PTFE Hose	23.00
	300-SHOE	Iron Shoe for AHP-300	15.00
	4FT-CVR	Steam Hose Cover (4Ft, Velcro Attached))	24.00
Parts: 30000, 35100, 36000and 37000 are all interchangeable with AHP-3P, AHP-2P and AHP-600			